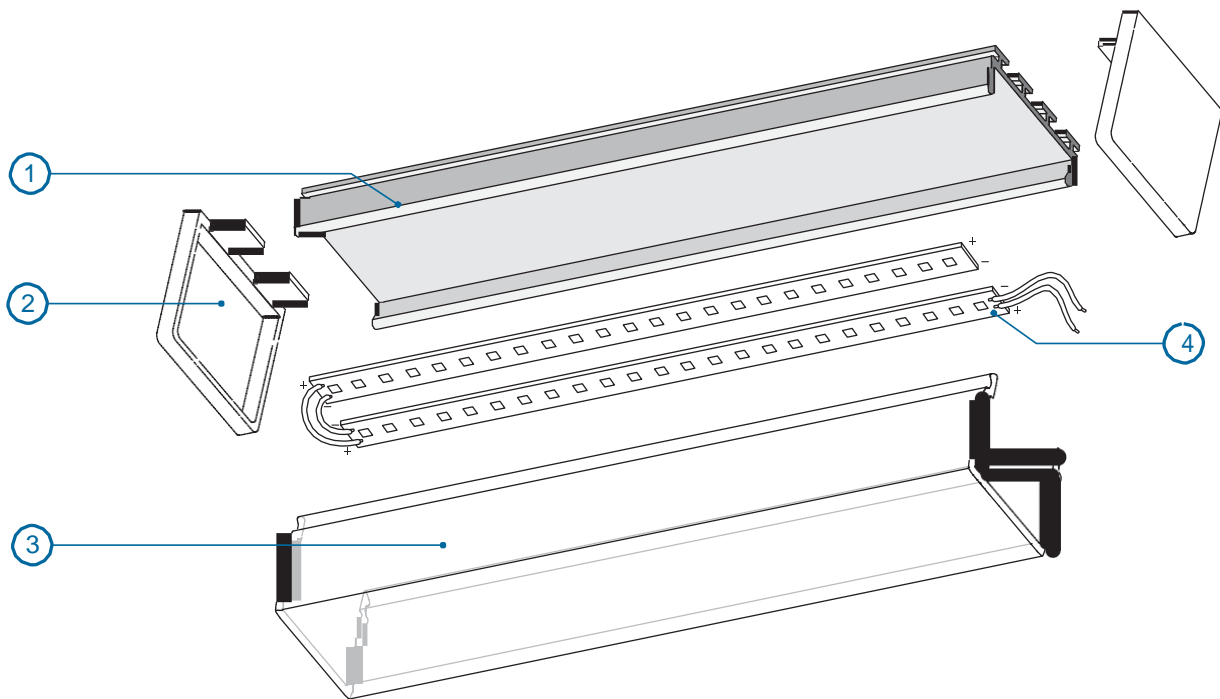




Basic fixture components



- 1. GIP profile
- 2. End cap

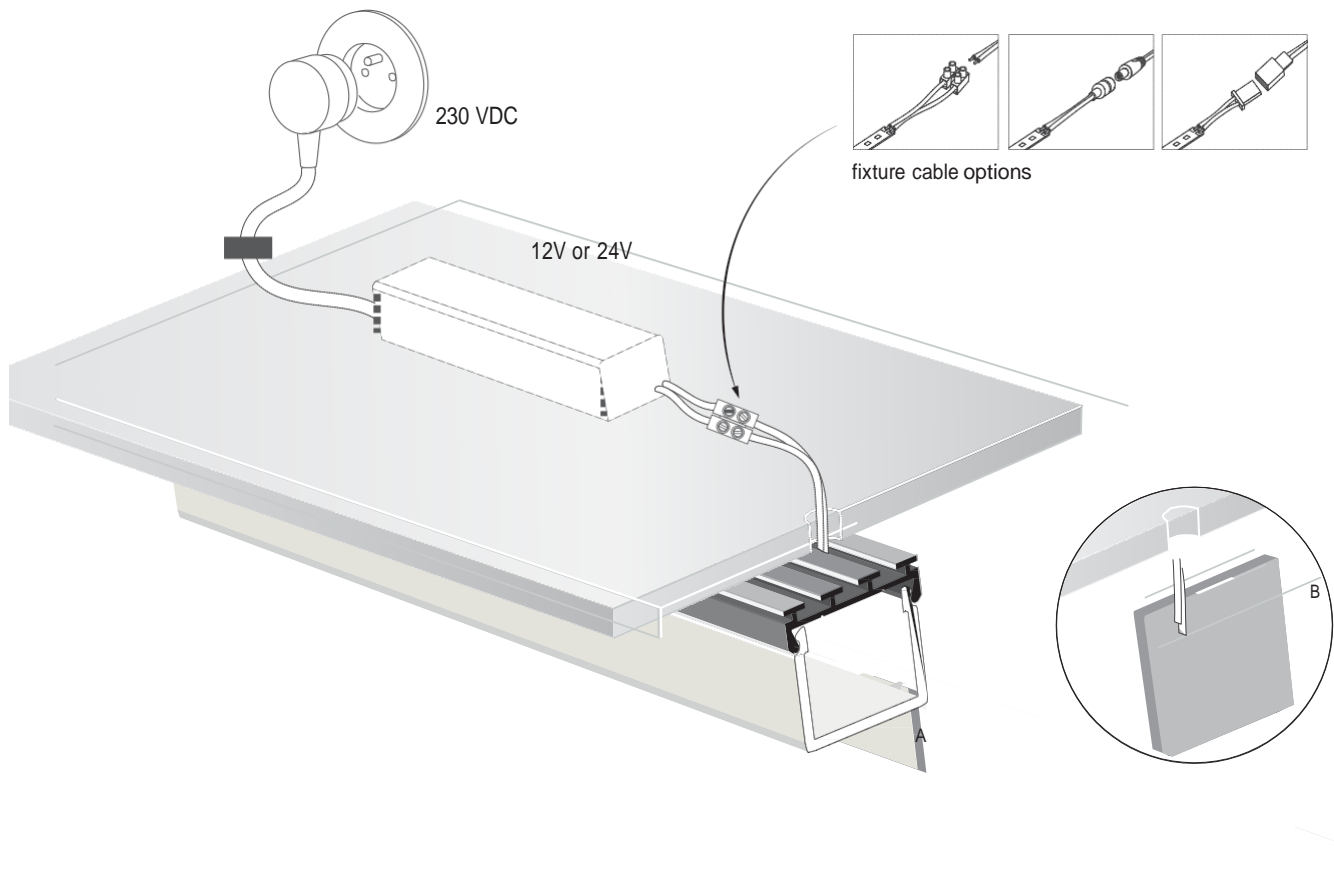


- 3. cover

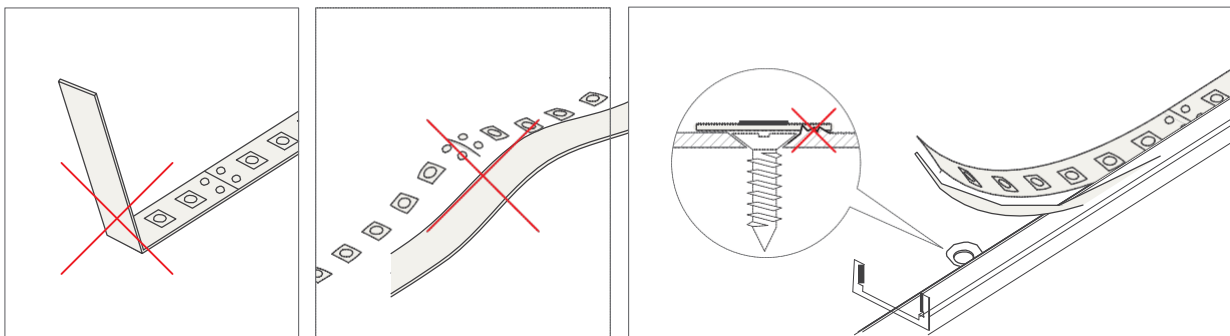
GPL milky GPL transparent GPK milky GPK transparent



Wiring diagram



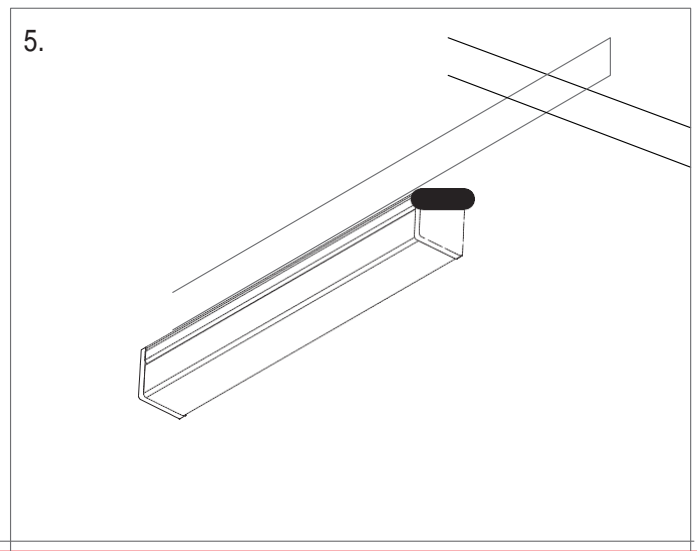
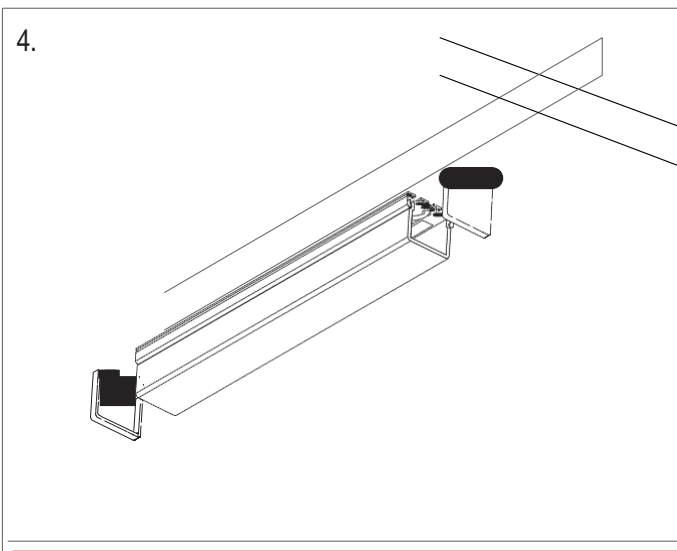
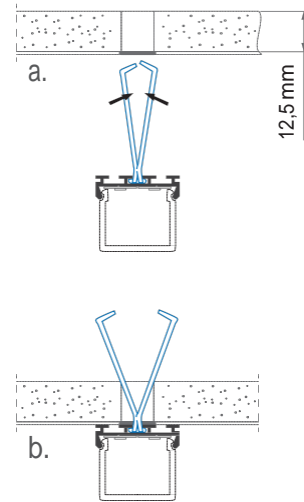
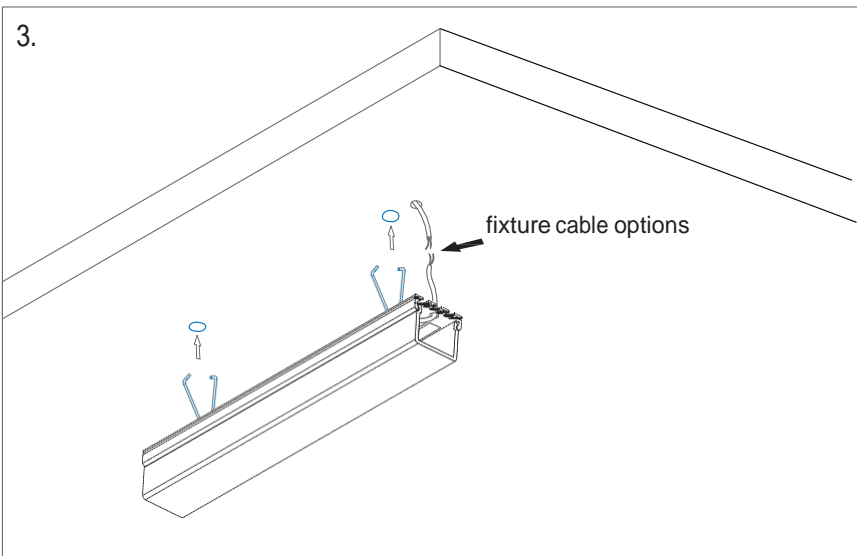
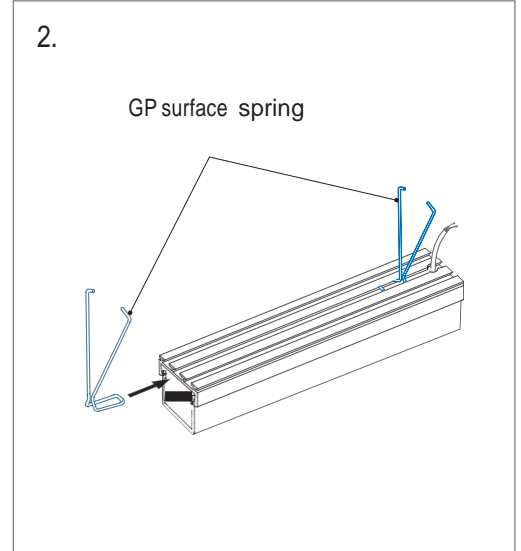
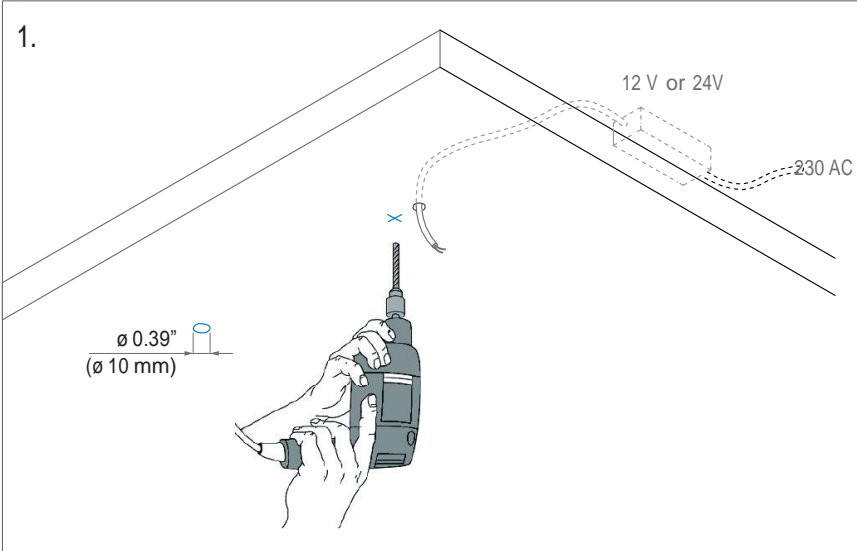
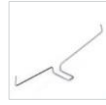
Installation of LED strips



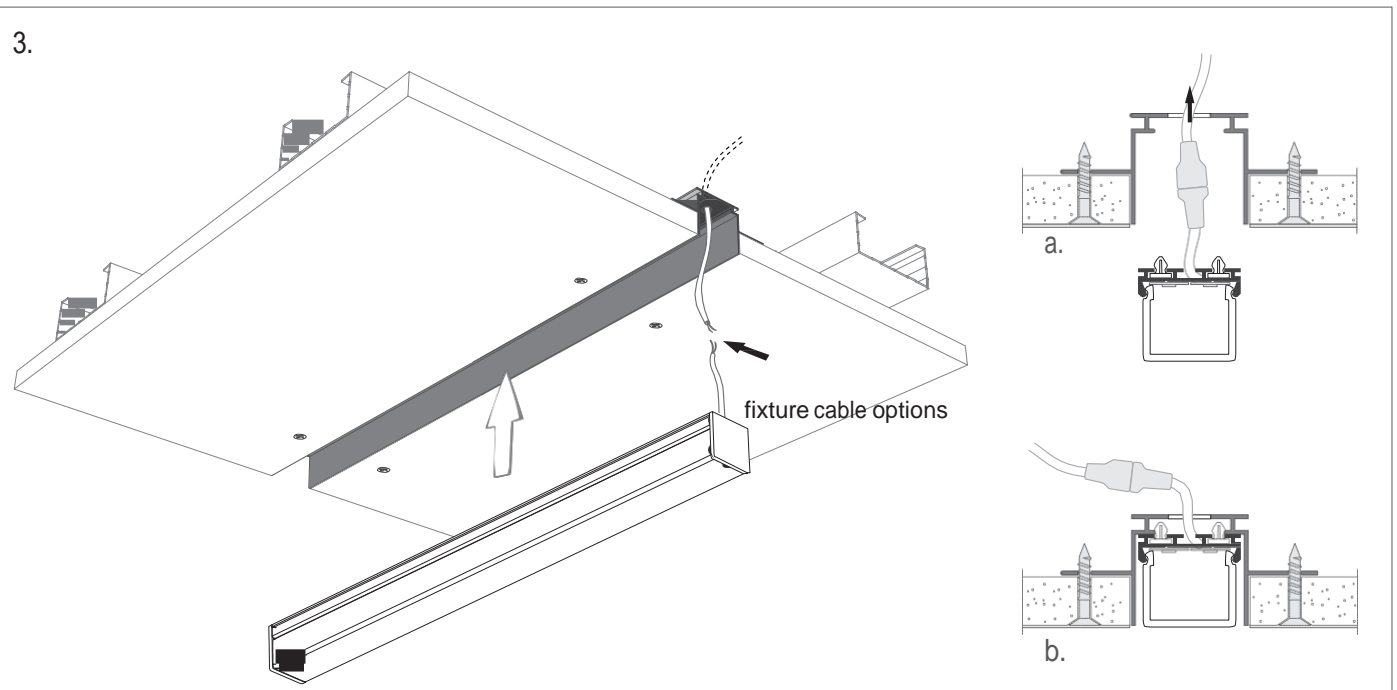
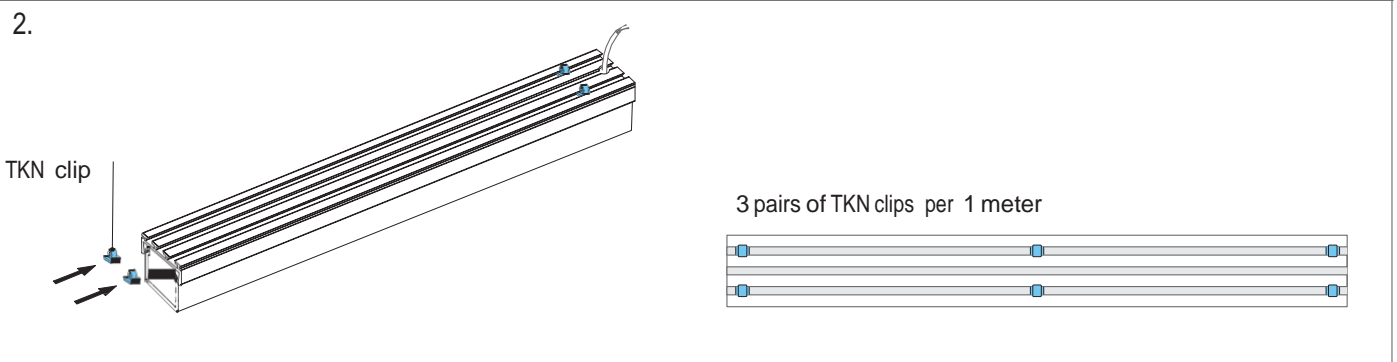
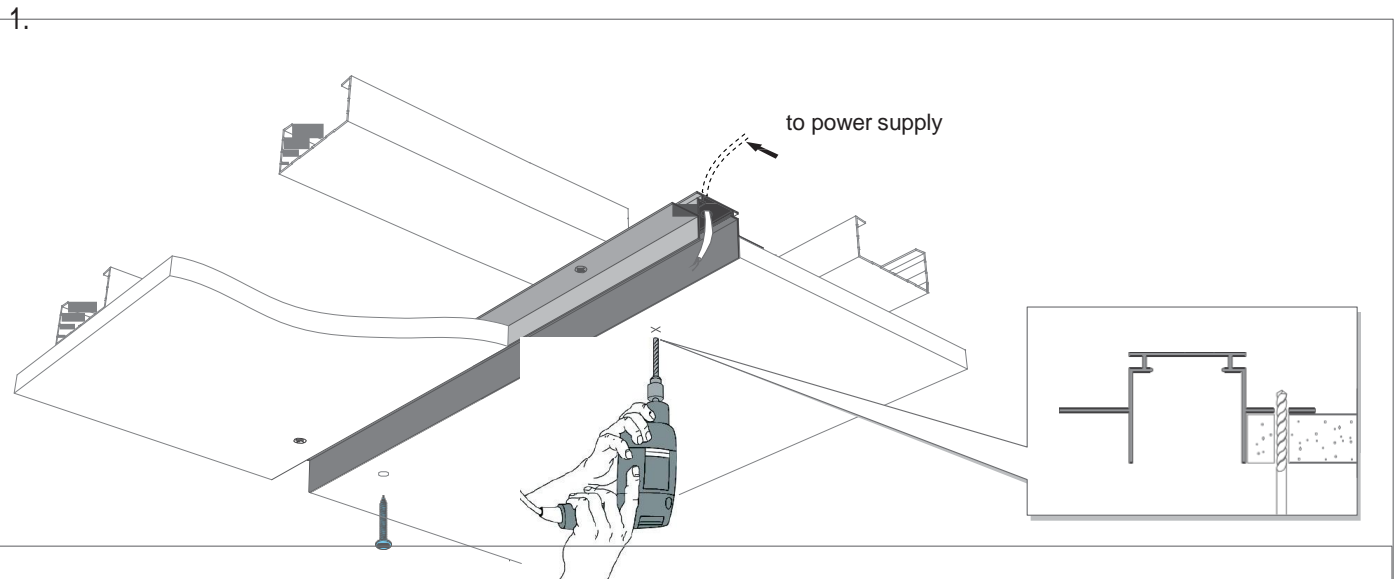
NOTE:

- LED Strips should not be excessively bend.
- When laying LED strips to surface avoid ripples.
- The surface should be smooth, without sharp edges. Before applying the LED strip surface should be clean.

Mounting of the GIP extrusion to a surface (drywall, wood etc.) with the use of GP surface mounting springs



Mounting the GIP extrusion to drywall with the use of the TKN mounting extrusion



Declaration of conformity

The product meet the requirements of the following directives of the European Union:

- Restriction of Hazardous Substances RoHS (2011/65/EU)

Use a damp cloth, never a strong cleaning agent.

We shall assume no liability for damages resulting from wrong installation.

We reserve the right to make changes in the product design.

RoHS 