

cutsheet

Occhio

Sento faro doppio low voltage halogen

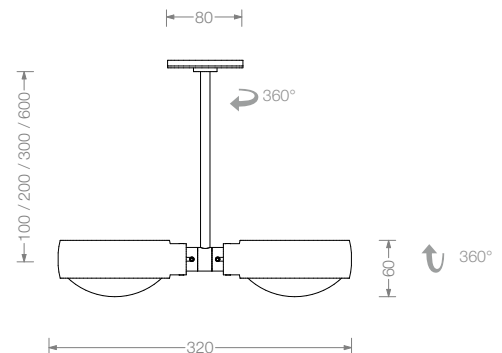
Ceiling lamp - modular system consisting of body and head

Thanks to its unique modularity the Occhio head-body system delivers impressive lighting solutions for your room. For different lighting effects diverse, turnable reflector heads are available, which can be easily substituted at any time thanks to a simple plug-in mechanism. The diverse wall and ceiling boxes allow for all recessed and surface mounting options.

Ceiling lamp Occhio Sento faro doppio consisting of

- body Occhio faro doppio - different length and surfaces
- head Occhio Sento - different lighting effects and surfaces
- Occhio accessories - different mounting options and surfaces

IP20     



material

aluminium, brass, steel, glass

surface

head: see p.2 cutsheet
body: chrome, chrome matt

length / rotation angle

10 cm, 20 cm, 30 cm, 60 cm / 360°

recommended lighting effects

B, C, E see p.2 cutsheet

light source

low voltage halogen, QT 12, operating voltage 12 V
2 x max. 100 W, Gy6.35,
energy efficiency grade B, lifetime 4.000 h

luminous flux (bulb)

50 W / 1180 lm, 60 W / 1650 lm

color temperature / color rendering

3000 K / CRI 100

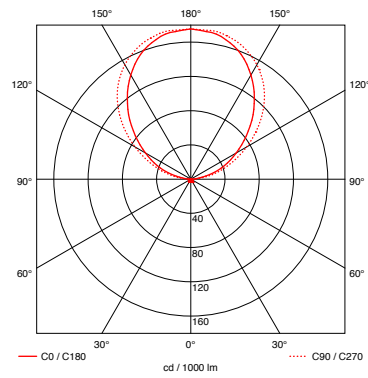
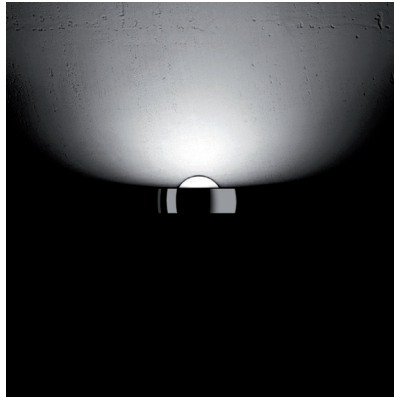
weight

body + head max. 2,8 kg

mounting accessories

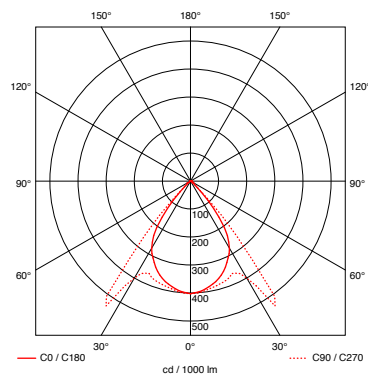
for surface or recessed mounting, see p.3 cutsheet

Sento faro doppio recommended lighting effects



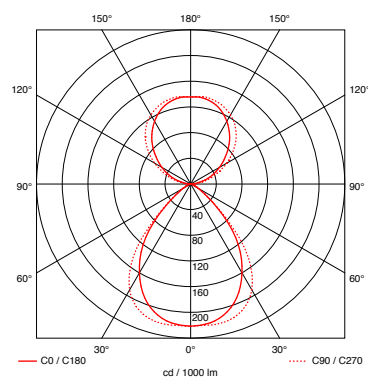
Sento B (glass matt / cover)
reflector head for diffuse light
in one direction

luminous efficiency
49%
glass
satinised, heat-resistant glass
ring / cover
chrome, chrome matt
white or black glossy finish
(bianco, nero)
holder
chrome, chrome matt



Sento C (cover / lense)
reflector head for directed light
in one direction

luminous efficiency
56%
beam angle
approx. 85°
lense
optical glass
ring und cover
chrome, chrome matt,
white or black glossy finish
(bianco, nero)
holder
chrome oder chrome matt



Sento E (glass matt / lense)
reflector head for diffuse light in one and
directed light in the other direction

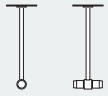
luminous efficiency
83%
beam angle
approx. 85°
glass
satinised, heat-resistant glass
lense
optical glass
ring
chrome, chrome matt,
white or black glossy finish
(bianco, nero)
holder
chrome oder chrome matt

cutsheet

Occhio

3 | 4

Sento faro doppio Item numbers

faro doppio		Item number	
		_chrome matt M	
		_chrome C	
	max. 2 x 100W low voltage halogen, Gy 6.35 turnable	10 cm	7F 20 00 _
		20 cm	7F 21 00 _
		30 cm	7F 22 00 _
		60 cm	7F 24 00 _



Sento B 	glass matt / cover	chrome matt	8K 00 72 M
		chrome	8K 00 72 C
		bianco	8K 00 72 B
		nero	8K 00 72 N
Sento C 	cover / lens	chrome matt	7K 00 63 M
		chrome	7K 00 63 C
		bianco	7K 00 63 B
		nero	7K 00 63 N
Sento E 	glass matt / lens	chrome matt	7K 00 75 M
		chrome	7K 00 75 C
		bianco	7K 00 75 B
		nero	7K 00 75 N



Sento faro doppio Item numbers

Item number
_chrome matt M
_chrome C



mounting transformer on site

flat box



for plastering or wall / ceiling box
h 8 mm, ø 80 mm

8Z 00 00 M
8Z 00 00 C

Electronic transformer



for flush-mounting
max. 105 W
l 107 mm, w 52 mm, h 30 mm

7Z 00 01 T



transformer in surface mounted box

Box due

with 2 soffitto singolo
body soffitto singolo see
cutsheet ceiling lamp soffitto singolo



mounting version for
2x faro singolo NV
incl. 2x electronic transformer
35 – 75 W
l 304 mm, w 88 mm, h 36 mm

matt chrome 7Z 90 2 00 M F
chrome 7Z 90 2 00 C F
bianco / chrome 7Z 90 2 00 B F
nero / chrome 7Z 90 2 00 N F

track version

matt chrome 4Z 90 2 00 M F
chrome 4Z 90 2 00 C F
bianco / chrome 4Z 90 2 00 B F
nero / chrome 4Z 90 2 00 N F